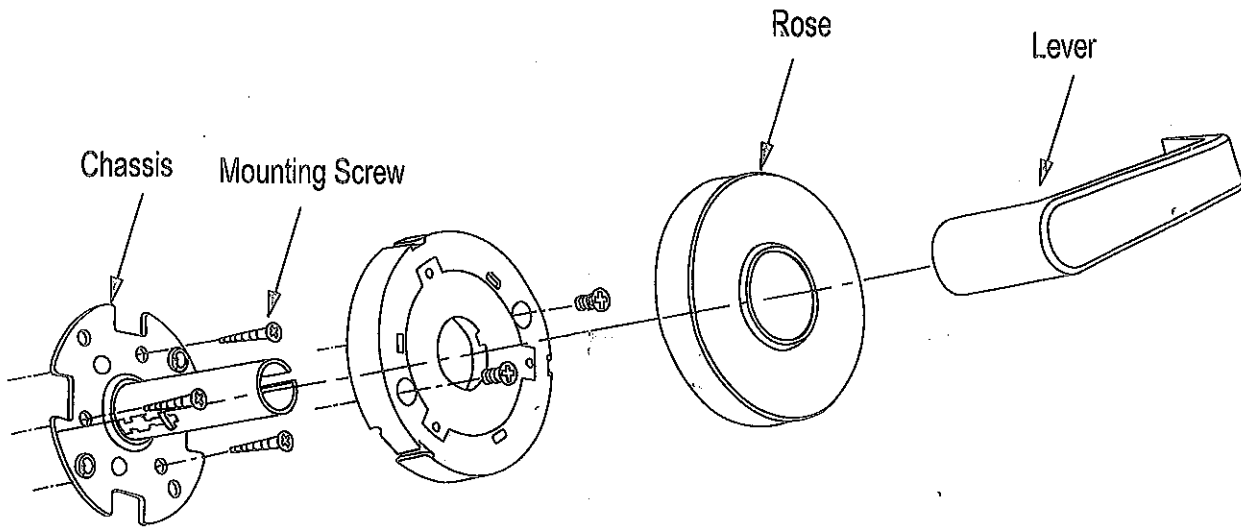


HOW TO INSTALL DUMMY TRIM

1



2

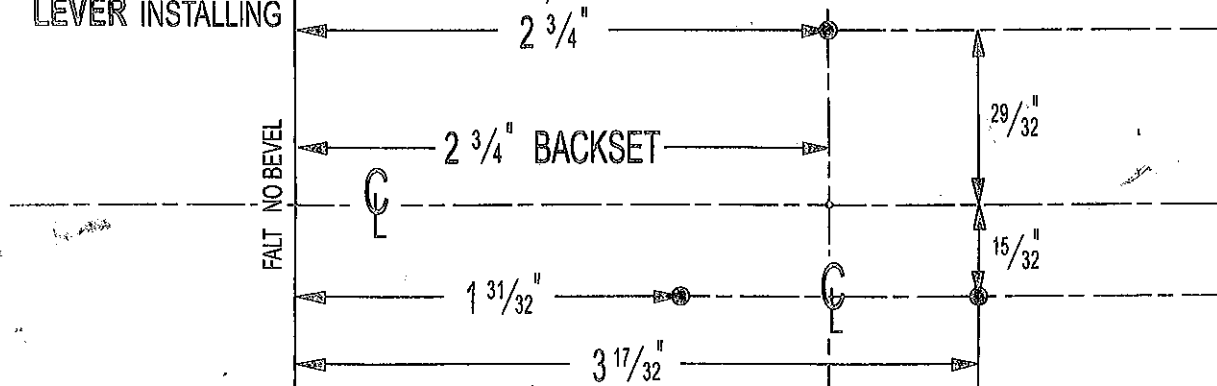
1. Install chassis at proper position on the door by provided three mounting screws.
2. Align rose reinforcement with chassis and assemble it by two screws as shown on diagram.
3. Fit the Rose to rose reinforcement and rotate clockwise to fix it.
4. Push the handle until clicked align with chassis.

3

TEMPLATE FOR LEVER INSTALLING

※ IMPORTANT

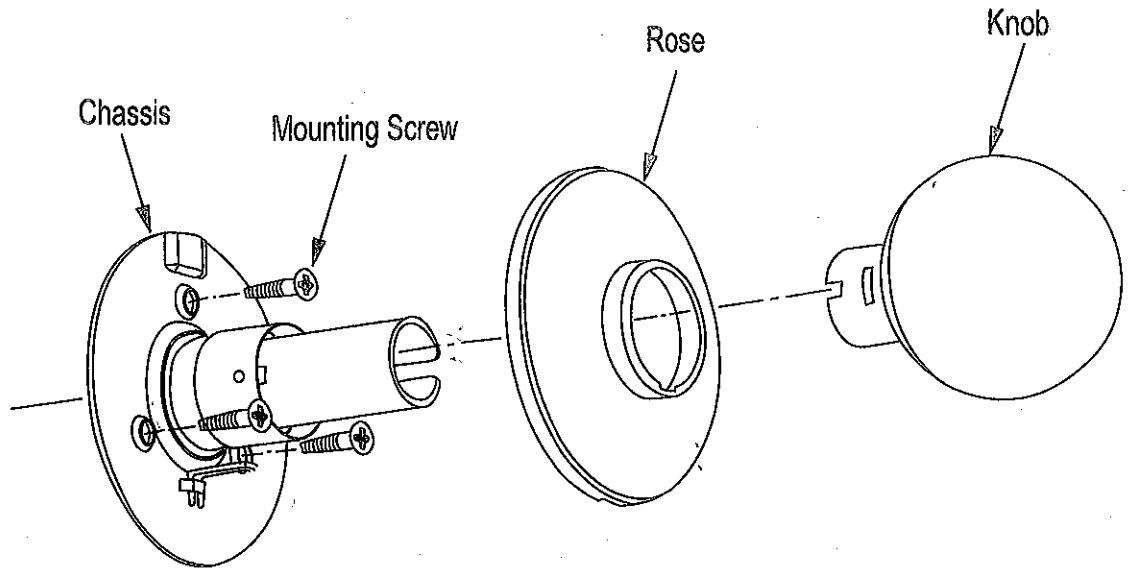
161 DOOR PREP (2 1/8" HOLE) NOT REQUIRED ON EITHER SIDE OF DOOR. MARK 3 HOLES, THEN INSTALL MOUNTING SCREWS ON BLACK MARKS.



This door preparation is oriented for right hand and right hand reverse doors. For left hand and left reverse doors mounting screw location must be rotated 180°

HOW TO INSTALL DUMMY TRIM

1



2

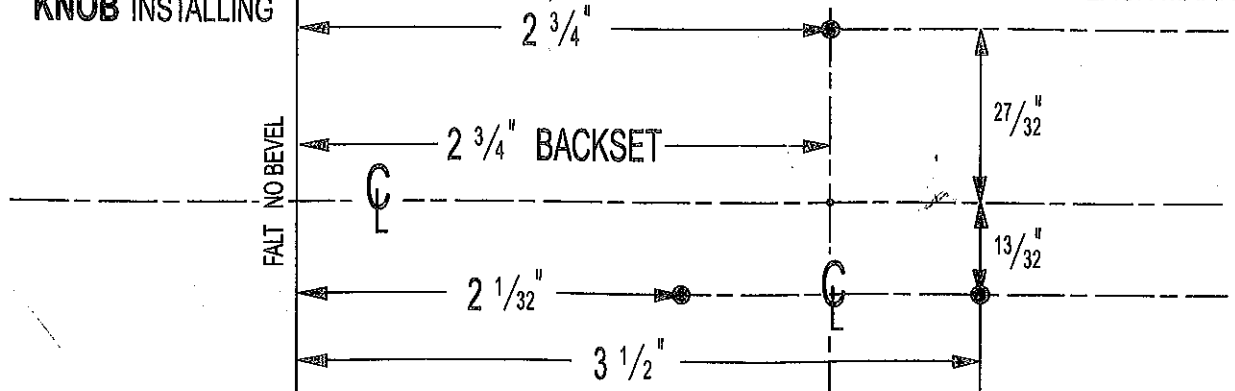
1. Install chassis at proper position on the door by provided three mounting screws.
2. Fit the Rose to chassis.
3. Push the Knob with chassis.

3

TEMPLATE FOR KNOB INSTALLING

※ IMPORTANT

161 DOOR PREP ($2\frac{1}{8}$ " HOLE) NOT REQUIRED ON EITHER SIDE OF DOOR. MARK 3 HOLES, THEN INSTALL MOUNTING SCREWS ON BLACK MARKS.



This door preparation is oriented for right hand and right hand reverse doors. For left hand and left reverse doors mounting screw location must be rotated 180°